

COMMERCIAL ALUMINUM WINDOWS



Rhino C30/40/45/50

COMMERCIAL HORIZONTAL SLIDERS

5000 SERIES




GerkinTM
WINDOWS & DOORS



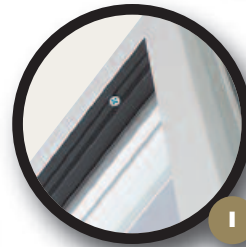
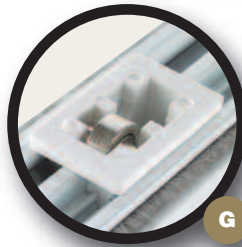
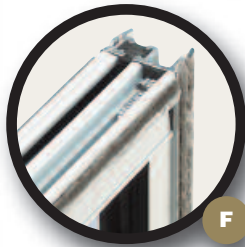
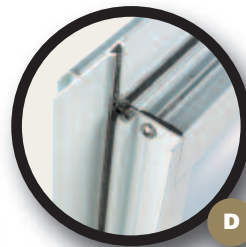
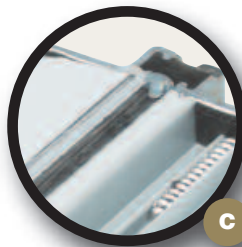
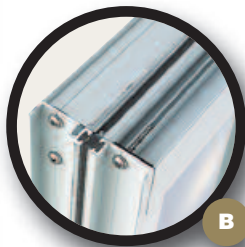
Gerkin™

WINDOWS & DOORS

Quality since 1932

Our primary focus has been to manufacture energy saving window and door products. Throughout our history we have established ourselves as an innovator in the design and manufacturing capability of insulated windows and doors.

Stringent product testing and innovative design has allowed our products to evolve as market and consumer needs change. In the winter of 1989-90 we started to conceptualize and design our Rhino Commercial Aluminum window series. Today we have several commercial window styles in the Rhino line. This window series consists of a commercial horizontal slider, casement, hopper, awning, fixed and hung windows. Each Rhino window reflects the design and manufacturing expertise we've implemented over the years. We also publish our AAMA test results to back up our claims of product performance and quality.





Rhino C-30 SLIDER

COMMERCIAL HORIZONTAL SLIDERS

5000 SERIES

C-30 FEATURES

- A** AAMA HS-C30 rated slider window (156" x 72" 3-lite slider tested).
- B** 2 3/8" thermally broken frame depth: Gerkin offers thermal breaks in the frame and sash for improved thermal efficiency.
- C** Polyethylene foam seal pads at all sash and frame corners: Gerkin ensures a tight fit at all corners by using these seals to seal out light, air and water.
- D** Integral nail fin: Nail fins are a standard feature for this window. The corners are closed which allows for full perimeter flashing. As an option, Gerkin will remove the nail fin for masonry and subframe installations.
- E** Jamb and Mullion Interlocks: The use of two interlocks helps to reduce deflection and creates a snug fit due to reduced movement away from the weather seals. The structure of the window is enhanced and air infiltration is reduced.
- F** Dual Weather-stripping: This window features heavy wool pile weather stripping with a Mylar fin on both sides of the sash. This means that whether there are negative or positive pressures on the window, there will never be a disconnection of weather-strip, thus giving Gerkin one of the tightest sliders on the market.
- G** Adjustable zinc chromate carbon steel ball bearing rollers: These rollers are designed to last for years with trouble free easy operation. Our sliders are among one of the easiest windows to operate with a maximum operating force of 15 pounds on the largest window we make. The rollers also offer a secondary height adjustment to help with sightline adjustments after installation.
- H** Two-position deadbolt lock: This level 10 forced entry rated deadbolt offers a secondary lock position which allows for security while offering two inches of ventilation.
- I** Anti-lift stop: Gerkin installs a security feature that won't allow the sash to be lifted out of the lock while the deadbolt is in either of the two locked positions.

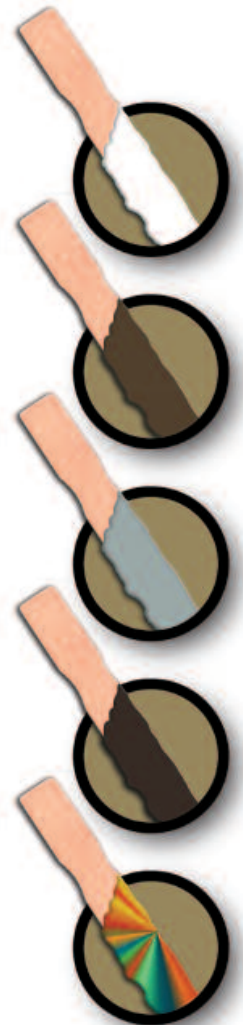
- J** All sash are marine glazed for easy replacement and stress free operation.
- K** Weeps with baffles: Gerkin includes an open cell foam inside each weep hole, which restricts snow, dirt, insects and other debris from entering the window through the weeps.
- L** Standard options: Gerkin offers complete subframe and panning systems, snap trims, sill flashing, stacking frames, stacking "H" channel, structural mulls, mull covers and factory applied extension jambs.
- 6063-T5 Alloyed aluminum with butt cut fabrication and stainless steel screw fasteners.
- 5/8" double strength glass: Gerkin insulates it's own glass and offers a ten year seal warranty as well as a one year stress crack warranty. With the use of the Duralite™ warm edges spacer system Gerkin insures a long seal life and thermal efficient glass. Standard glass options are LoE³, bronze tint, obscure and tempered. Internal glass grills are also a standard option. Custom glass options are available.
- Extruded aluminum screen frames: The strength of extruded screens is a major maintenance cost advantage for Gerkin over easily damaged roll form screens.
- Other options: Gerkin offers insulated panels as well as a louver system with a non-insulated blank-off panel for PTAC units. This unit can be incorporated into our Rhino window system and used in conjunction with any Rhino window.

ONLINE INFORMATION

Our website at www.gerkin.com offers AutoCAD details of window drawings and written specifications for architectural use. The Gerkin estimating department offers quoting and shop drawing services. Distributor catalogs are also available for over the counter quoting and architectural detail referral.

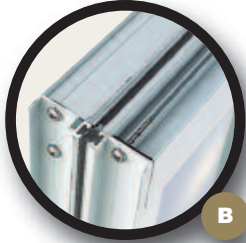
COLORS

Four standard colors: Gerkin stocks organic painted finishes in white and bronze as well as anodic finishes of clear anodized and dark bronze anodized. Custom paint and anodized finishes are available.

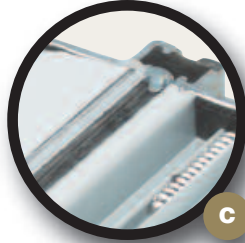




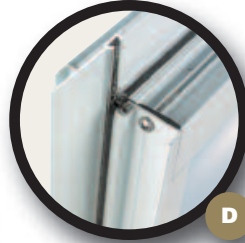
A



B



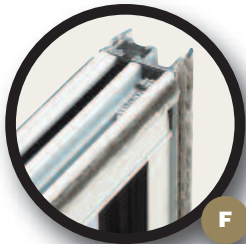
C



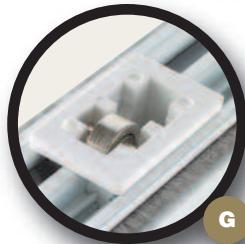
D



E



F



G



H



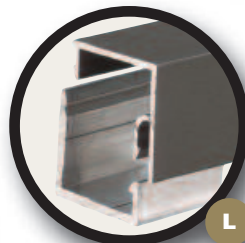
I



J



K



L



Rhino C-40/45/50

COMMERCIAL HORIZONTAL SLIDERS

5045 SERIES

C-40/C-45/C-50 FEATURES

- A** AAMA HS-C45 rated slider window (120" x 64" 3-lite slider tested).

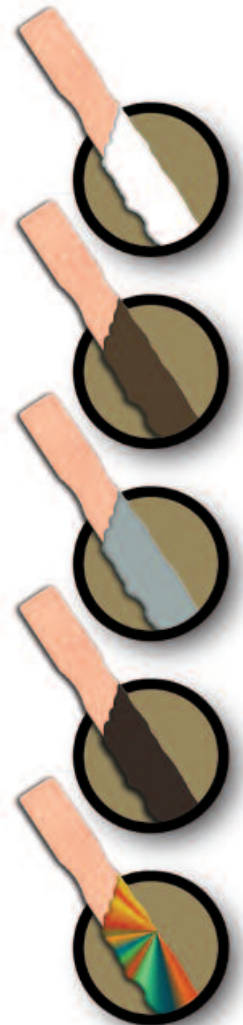
AAMA HS-C40 rated slider window (144" x 64" 3-lite slider tested).

AAMA HS-C50 108" x 60" XOX
- B** 2 3/8" thermally broken frame depth: Gerkin offers thermal breaks in the frame and sash for improved thermal efficiency.
- C** Polyethylene foam seal pads at all sash and frame corners: Gerkin ensures a tight fit at all corners by using these seals to seal out light, air and water.
- D** Integral nail fin: Nail fins are a standard feature for this window. The corners are closed which allows for full perimeter flashing. As an option, Gerkin will remove the nail fin for masonry and subframe installations.
- E** Jamb and Mullion Interlocks: The use of two interlocks helps to reduce deflection and creates a snug fit due to reduced movement away from the weather seals. The structure of the window is enhanced and air infiltration is reduced.
- F** Dual Weather-stripping: This window features heavy wool pile weather stripping with a Mylar fin on both sides of the sash. This means that whether there are negative or positive pressures on the window, there will never be a disconnection of weather-strip, thus giving Gerkin one of the tightest sliders on the market.
- G** Adjustable zinc chromate carbon steel ball bearing rollers: These rollers are designed to last for years with trouble free operation. Our sliders are among one of the easiest windows to operate with a maximum operating force of 18 pounds on the largest window we make. The rollers also offer a secondary height adjustment to help with sightline adjustments after installation.
- H** Ridged non-weatherable PVC sill track: With the deeper sill track on this slider, Gerkin has incorporated a secondary sill, which the sash rolls on. This PVC product is quiet, doesn't scratch and has a weep system that removes water from the operating area of the sash.
- I** Self-latching deadbolt lock: This level 10 forced entry rated deadbolt offers automatic locking when the window is closed. This is a great security feature for motels and apartments.

- J** Anti-lift stop: Gerkin installs a security feature that won't allow the sash to be lifted out of the lock while the deadbolt is in the locked position. The window must be fully open prior to being able to remove the sash.
- K** Weeps with baffles: Gerkin includes an open cell foam inside each weep hole, which restricts snow, dirt, insects and other debris from entering the window through the weeps.
- L** Standard options: Gerkin offers complete subframe and panning systems, snap trims, sill flashing, stacking frames, stacking "H" channel, structural mulls, mull covers and factory applied extension jambs.
- M** 5/8" double strength glass: Gerkin insulates its own glass and offers a ten year seal warranty as well as a one year stress crack warranty. With the use of the Duralite™ warm edges spacer system Gerkin insures a long seal life and thermal efficient glass. Standard glass options are LoE³, bronze tint, obscure and tempered. Internal glass grills are also a standard option. Custom glass options are available.
- N** Extruded aluminum screen frames: The strength of extruded screen frames is a major maintenance cost advantage for Gerkin over easily damaged roll form screens.
- O** Other options: Gerkin offers insulated panels as well as a louver system with a non-insulated blank-off panel for PTAC units. This unit can be incorporated into our Rhino window system and used in conjunction with any Rhino window.

COLORS

Four standard colors: Gerkin stocks organic painted finishes in white and bronze as well as anodic finishes of clear anodized and dark bronze anodized. Custom paint and anodized finishes are available.



ONLINE INFORMATION

Our website at www.gerkin.com offers AutoCAD details of window drawings and written specifications for architectural use. The Gerkin estimating department offers quoting and shop drawing services. Distributor catalogs are also available for over the counter quoting and architectural detail referral.

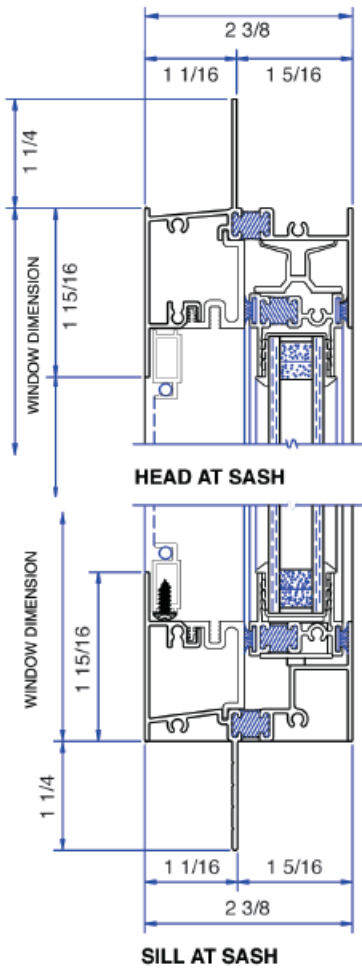




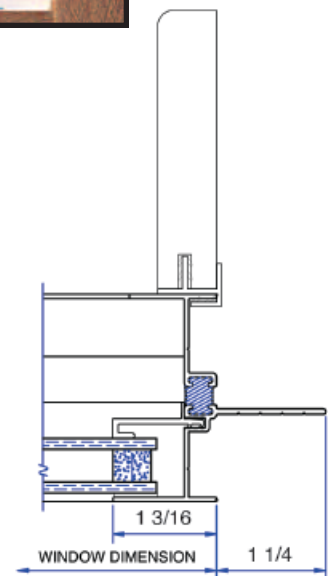
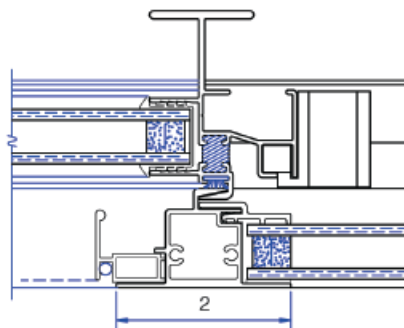
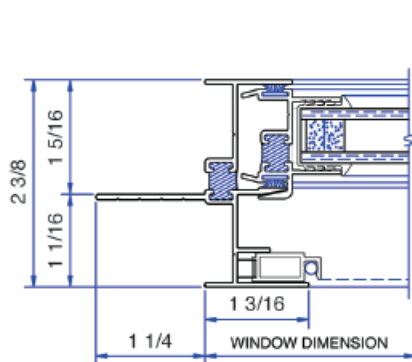
Rhino C30/40/45/50

COMMERCIAL HORIZONTAL SLIDERS

C-30 HORIZONTAL & VERTICAL DETAILS

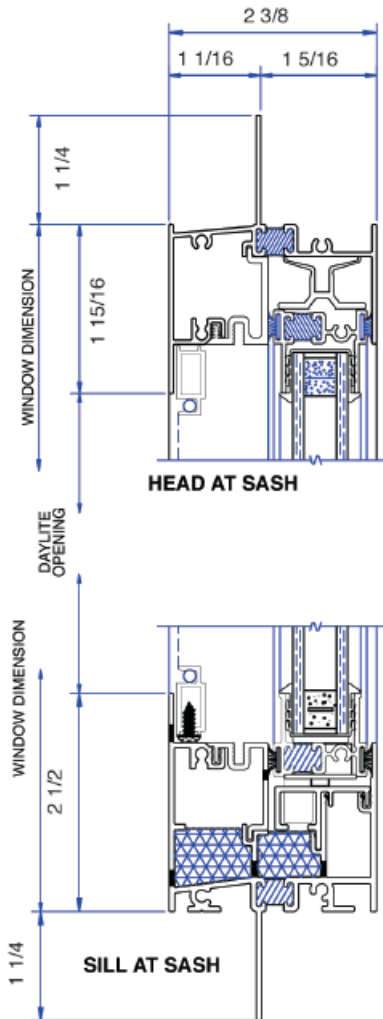


C-30 SLIDER/HALF ROUND



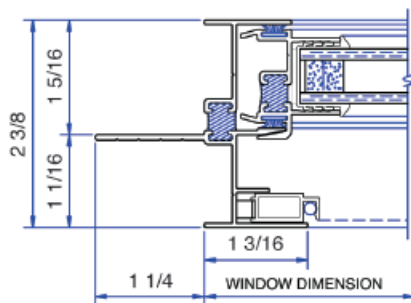
MECHANICALS

C-40/C-45/C-50 HORIZONTAL & VERTICAL DETAILS

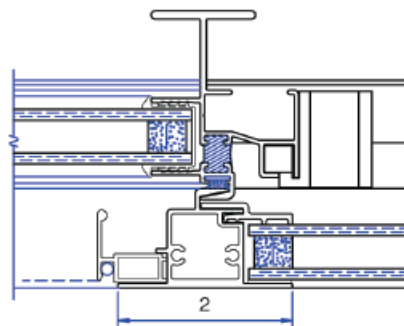


C-45

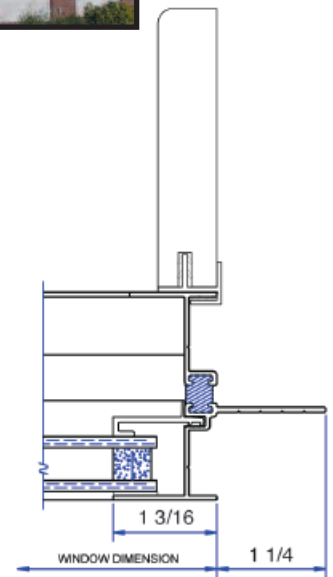
Top sliders shown with extended leg arch above and PTAC unit below. Other sliders shown with PTAC units below.



OPERATOR JAMB



MEETING RAIL



FIXED JAMB w/
EXTENSION JAMB



Rhino C30/40/45/50

COMMERCIAL HORIZONTAL SLIDERS

5000 SERIES

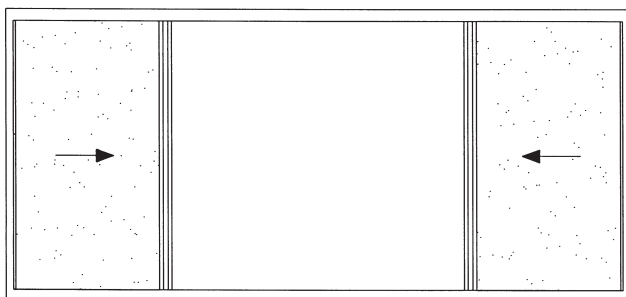
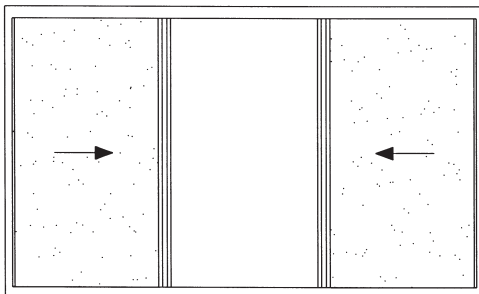
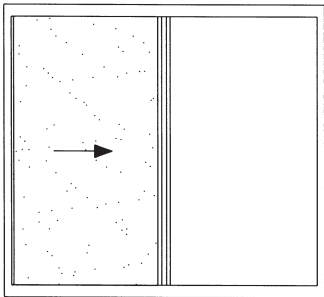
AAMA TEST RESULTS

MODEL	CLASS	TEST SIZE	AIR INFILTRATION (cfm/sq.ft.)	WATER (psf)	SWL ¹ (psf)	U-VALUE w/LoE/Argon	SHGC ²	VT ³	CONDENSATION RESISTANCE	SOUND TRANSMISSION CLASS	
5000	HS-C30	156"X72" (XOX)	0.07	4.5	45.0	.38	.24	.54	42	STC 31 w/ 1/4 Lam X 1/8 A	OITC 28
5045	HS-C40	144"X64" (XOX)	0.07	6.75	60.0	.38	.24	.54	42	STC 31	OITC 28
5045	HS-C45	120"X64" (XOX)	0.07	6.75	67.5	.38	.24	.54	42	STC 31	OITC 28
5045	HS-C50	108"X60" (XOX)	0.06	7.50	75.0	.38	.24	.54	42	STC 31	OITC 28



¹Structural Wind Load • ²Solar Heat Gain Coefficient • ³Visible Transmittance
 TESTED AND CERTIFIED TO AAMA/WDMA/CSA 101/I.S.2/A440-05
 U-VALUE/SHGC/VT/CRF TESTED TO NFRC 100/200/500

STANDARD SLIDER OPTIONS



P.O. BOX 3203
 SIOUX CITY, IA 51102
 PHONE: 402.494.6000
 FAX: 402.494.6765
 TOLL FREE: 800.475.5061



enviro sealed
 windows[®]